

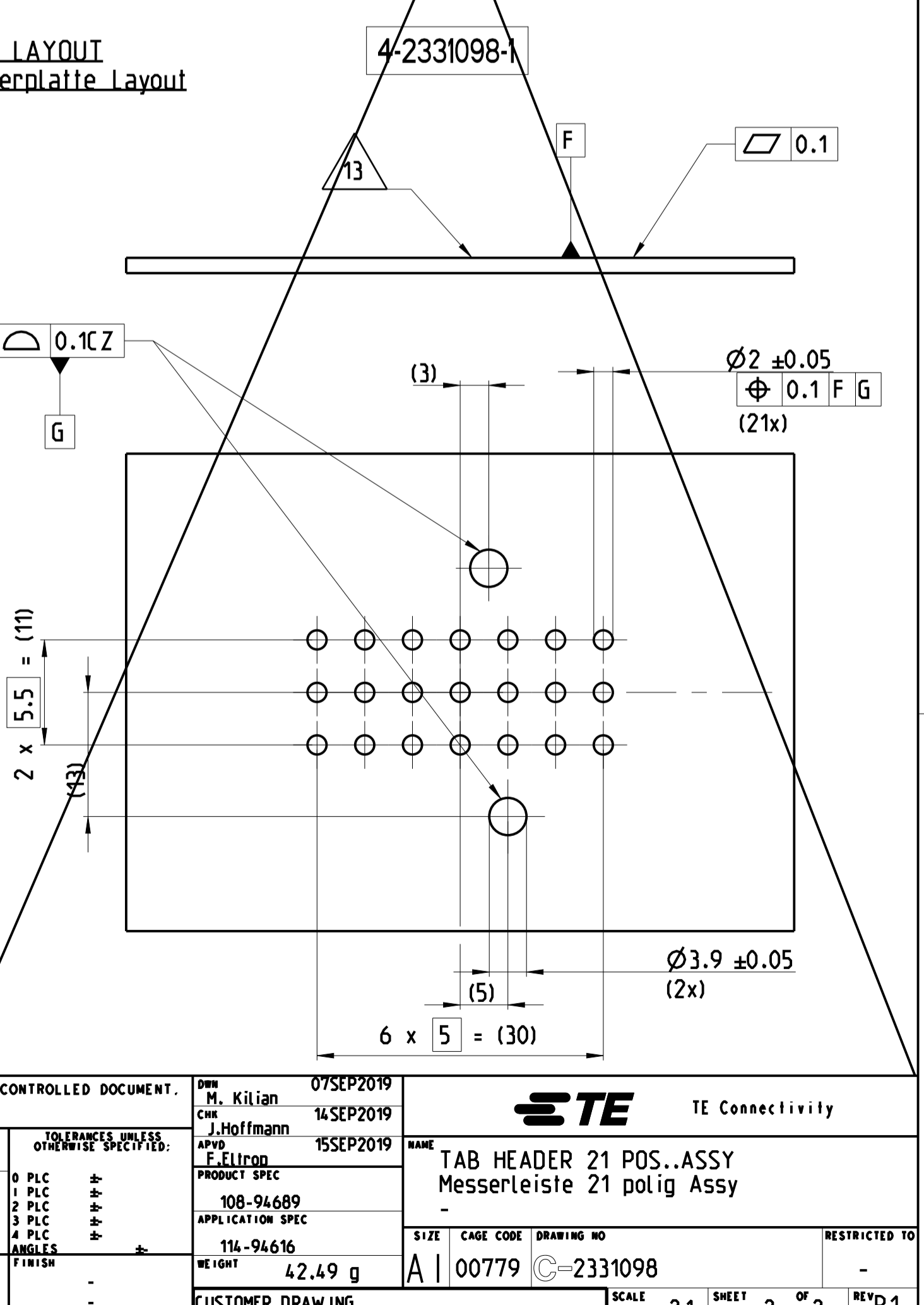
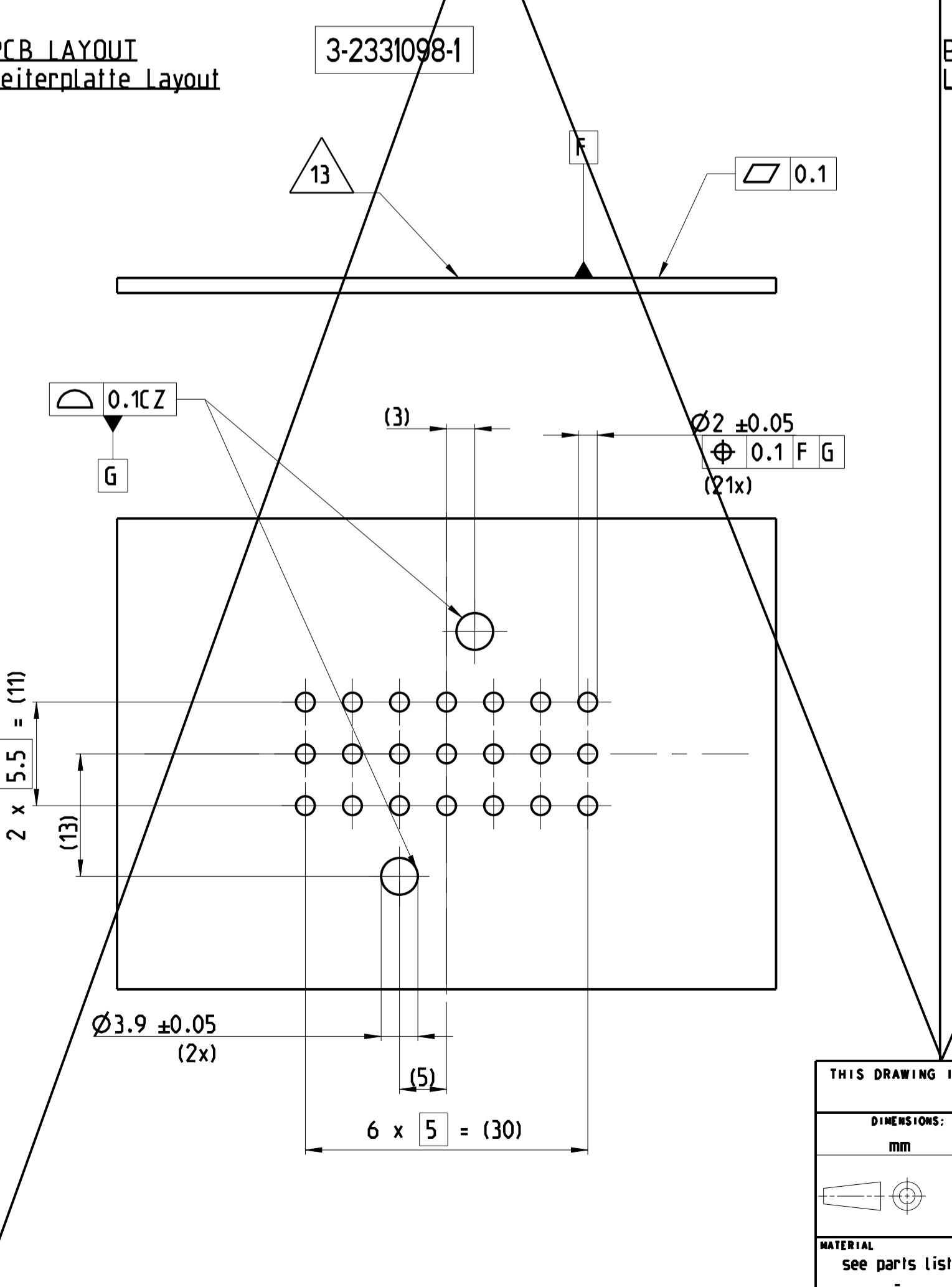
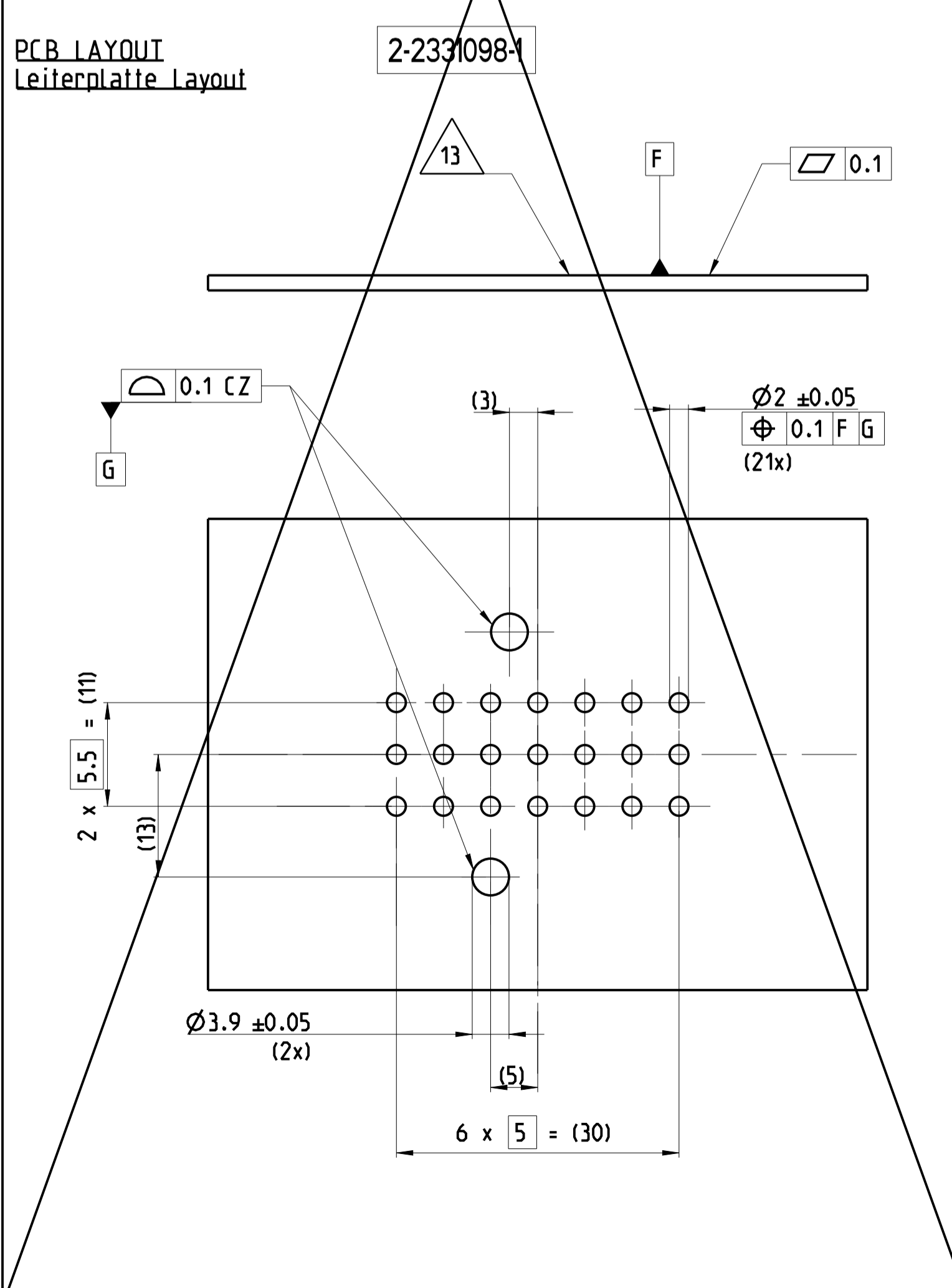
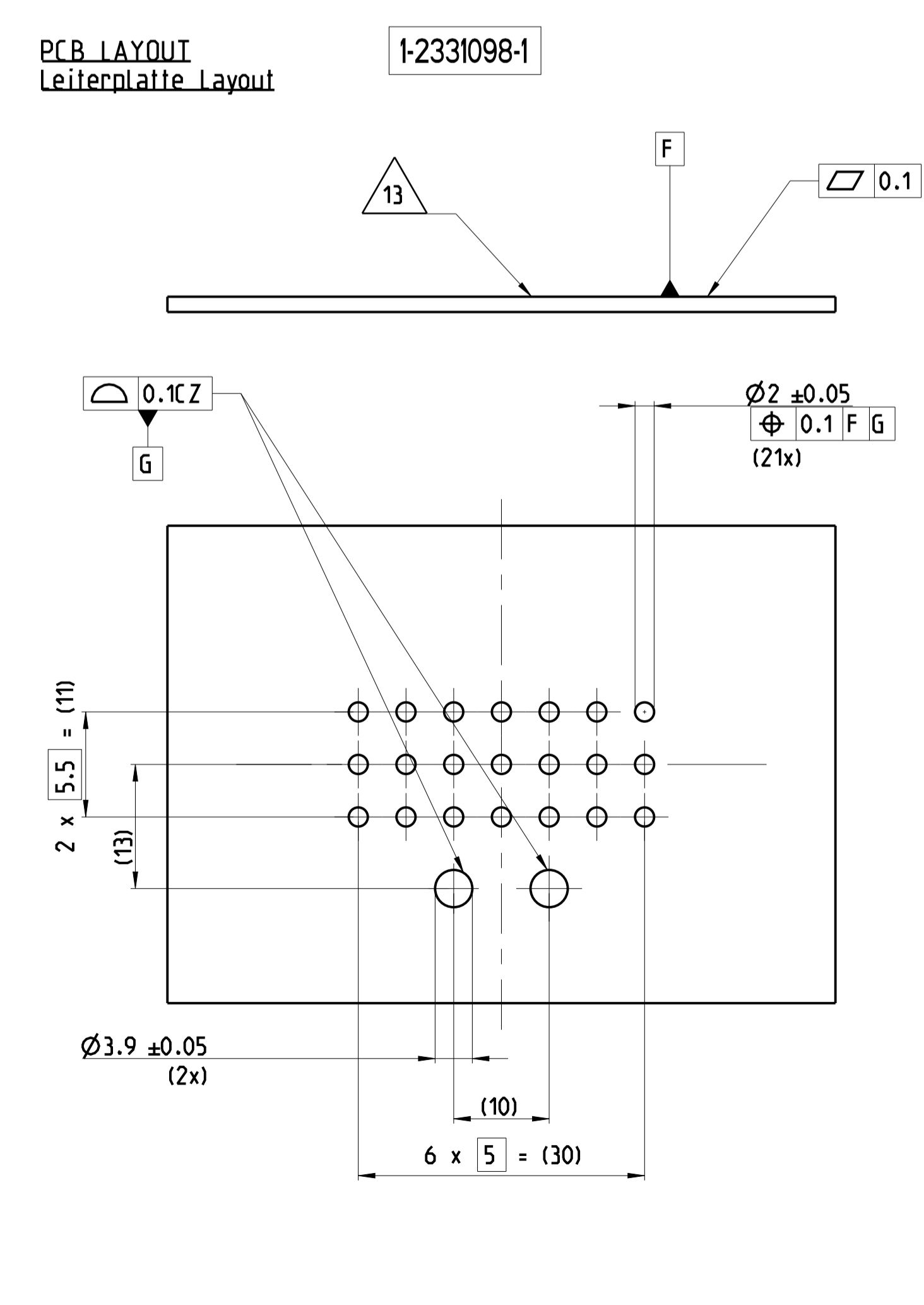
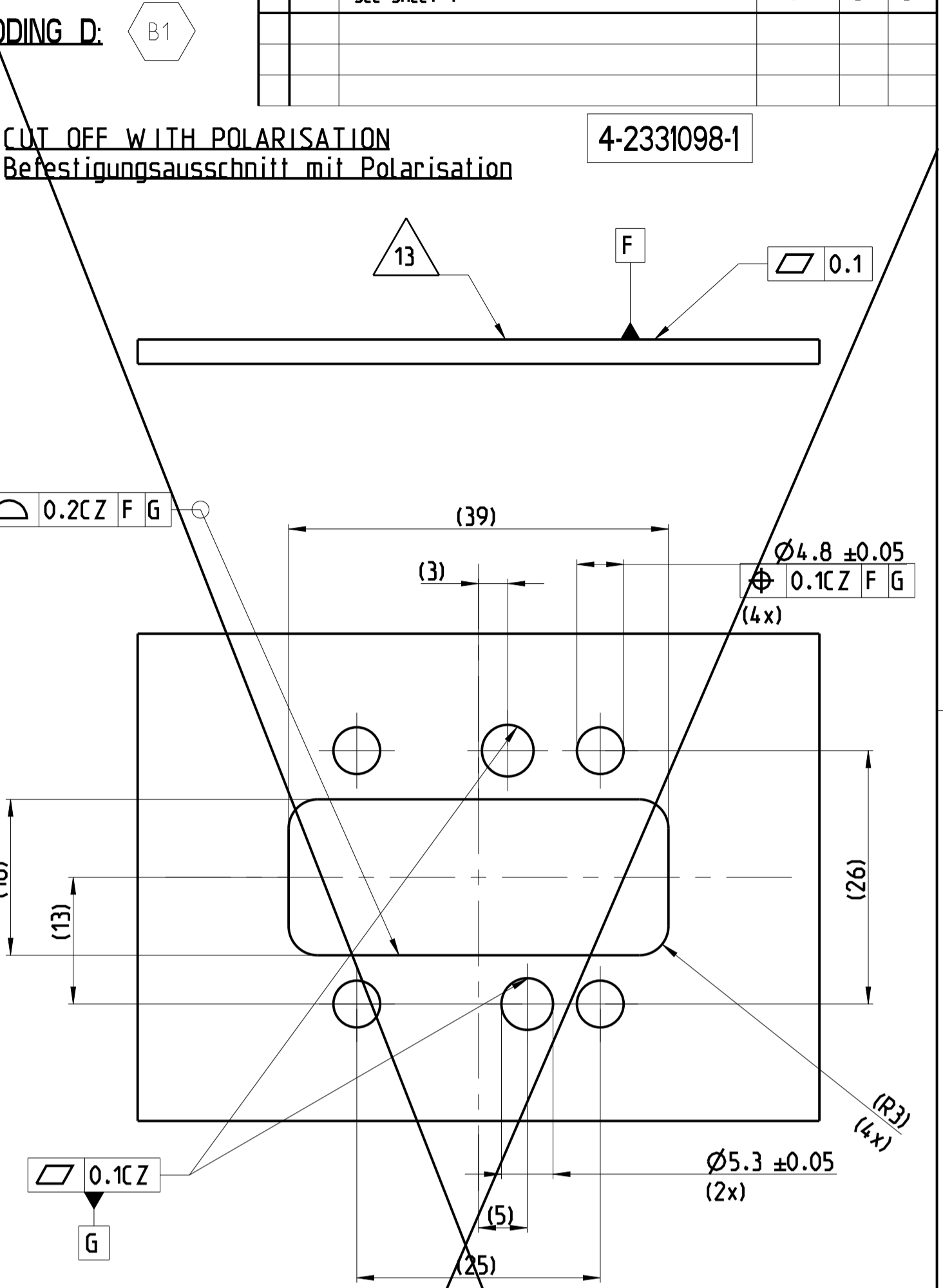
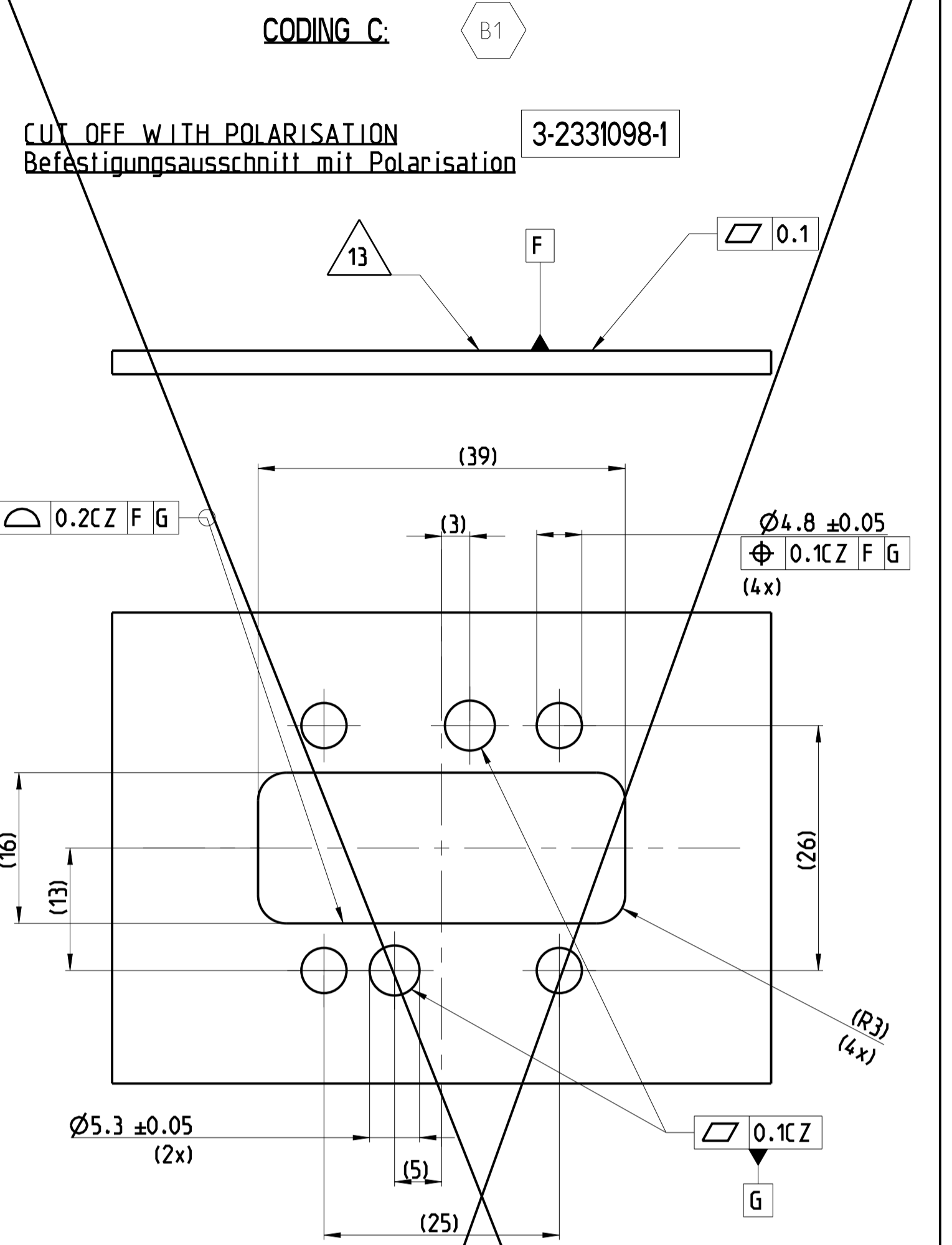
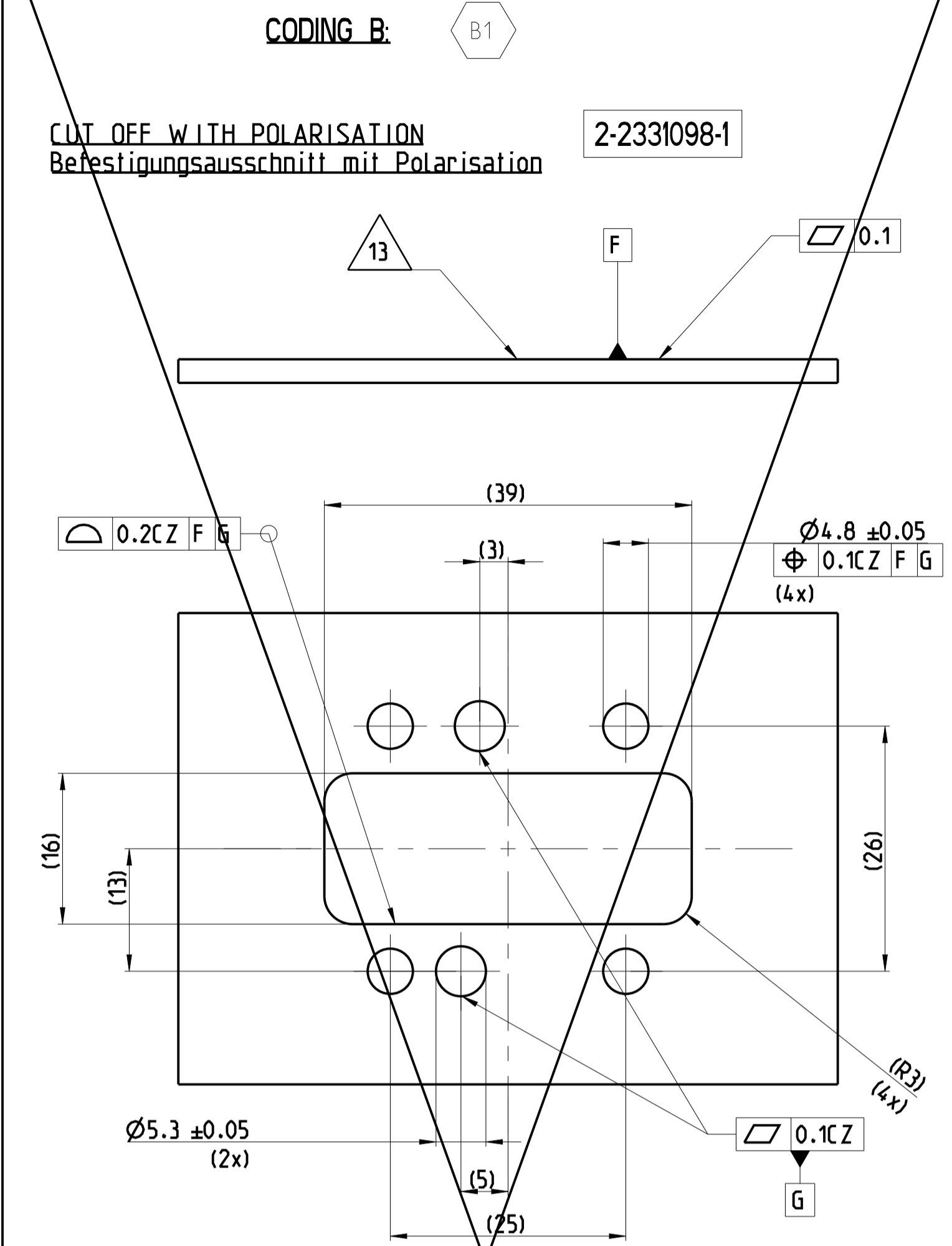
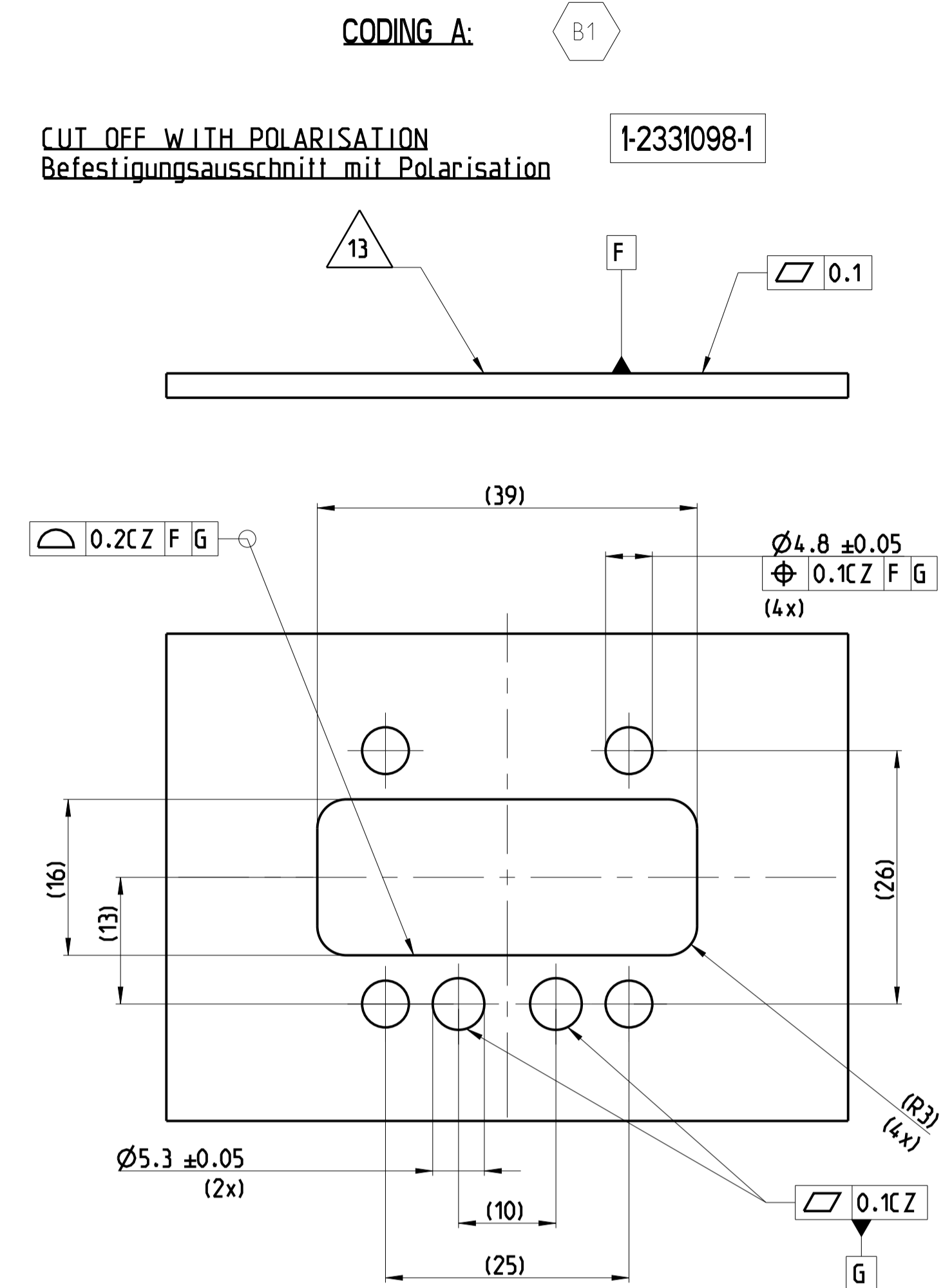
REVISIONS	DATE	BY	APPV
B NEW DRAWING	07SEP2019	MK	FE
B1 SEE PCN-21-100433	02FEB2021	MK	JH

- NOTES  
Bemerkungen
- TE CONNECTIVITY (TE) ORDER-NUMBER.  
TE Connectivity (TE) Bestellnummer
  - TE SINGLE PART NUMBER  
TE Einzelteilnummer
  - REVISION OF THE MOLD  
Werkzeugänderungsindex
  - MATERIAL MARKING ACCORDING TO VDA 260  
Materialkennzeichnung nach VDA 260
  - PRODUCTION DATE  
Produktionsdatum
  - MOLD CAVITY MARKING  
Nestmarkierung
  - CONTACT CAVITY NUMBERING  
Kammernummerierung
  - DIFFERENT CODINGS  
Unterschiedliche Kodierungen
  - INTERFACE ACCORDING TO  
TE-SPECIFICATION 114-18085-030. REV.: B  
Schnittstelle gemäß TE-Spezifikation 114-18085-030. Rev.: B
  - GATE MARK  
Anspritzpunkt
  - EXTRACTION FORCE OF STITCHING CONTACTS MIN. 50N.  
TESTING SPEED: 25 MM / MIN.  
Auszugskraft der Steckkontakte min. 50N.  
Testgeschwindigkeit: 25 mm / min.
  - PACKED IN TRAY OR SPECIAL FORM ACCORDING TO  
TE PACKAGING SPECIFICATION V2331098  
Verpackt im Tray oder Spezialform nach  
TE Verpackungsspezifikation V2331098
  - REQUIREMENT FOR SEALING AREA ON CUSTOMER  
HOUSING:  $\sqrt{0.1}$  R26.3  $\mu$ m  
Anforderungen für Dichtungsbereich am Kundengehäuse:

REVISION OF EACH ASSY NO (WHEN BLANK, USE DWG REVISION)	REVISION OF EACH ASSY NO (WHEN BLANK, USE DWG REVISION)	REVISION OF EACH ASSY NO (WHEN BLANK, USE DWG REVISION)	REVISION OF EACH ASSY NO (WHEN BLANK, USE DWG REVISION)	REVISION OF EACH ASSY NO (WHEN BLANK, USE DWG REVISION)	REVISION OF EACH ASSY NO (WHEN BLANK, USE DWG REVISION)
D	4-2331098-1	A	TAB 3,0x0,8x31,9[mm] Flächstecker SEALING Dichtung HOUSING Gehäuse	21	Cu Zn 30 Ag / Sn ORANGE
C	3-2331098-1	A	TAB 3,0x0,8x31,9[mm] Flächstecker SEALING Dichtung HOUSING Gehäuse	21	Cu Zn 30 Ag / Sn ORANGE
B	2-2331098-1	A	TAB 3,0x0,8x31,9[mm] Flächstecker SEALING Dichtung HOUSING Gehäuse	21	Cu Zn 30 Ag / Sn ORANGE
A	1-2331098-1	B	TAB 3,0x0,8x31,9[mm] Flächstecker SEALING Dichtung HOUSING Gehäuse	21	Cu Zn 30 Ag / Sn ORANGE

THIS DRAWING IS A CONTROLLED DOCUMENT.	DATE	BY	APPV	NAME	SIZE	SCALE	REVISION
THIS DRAWING IS A CONTROLLED DOCUMENT.	07SEP2019	M. Kilian	J. Hoffmann	TAB HEADER 21 POS..ASSY	A1	5:1	B1
DIMENSIONS: MASSTÄBE: mm	TOLERANCES UNLESS SPECIFIED: TOLERANZGRUPPE: T65	DATE: 07SEP2019	BY: J. Hoffmann	NAME: TAB HEADER 21 POS..ASSY	SIZE: A1	SCALE: 5:1	REVISION: B1
DIN 16742 TOLERANCE GROUP T65	DIN EN ISO 8015:AD - DIN EN ISO 291	DATE: 07SEP2019	BY: J. Hoffmann	NAME: TAB HEADER 21 POS..ASSY	SIZE: A1	SCALE: 5:1	REVISION: B1
DIN EN ISO 8015:AD - DIN EN ISO 291	DIN EN ISO 14105	DATE: 07SEP2019	BY: J. Hoffmann	NAME: TAB HEADER 21 POS..ASSY	SIZE: A1	SCALE: 5:1	REVISION: B1

REVISIONS				
P	LTR	DESCRIPTION	DATE	APPD
-		SEE SHEET 1	-	-



THIS DRAWING IS A CONTROLLED DOCUMENT.

DIMENSIONS:	TOLERANCES UNLESS OTHERWISE SPECIFIED:	DATE	07SEP2019
mm	0 PLC	DRW	M. Kilian
	1 PLC	CHK	J. Hoffmann
	2 PLC	APPD	E. Ellron
	3 PLC	DATE	15SEP2019
	4 PLC	PRODUCT SPEC	NAME
	ANGLES	108-94689	TAB HEADER 21 POS..ASSY
	FINISH	APPLICATION SPEC	Messerleiste 21 polig Assy
MATERIAL	see part's list	114-94616	SIZE
		WEIGHT	CAGE CODE
		42.49 g	00779
		CUSTOMER DRAWING	DRAWING NO
			C=2331098

SCALE 2:1 SHEET 2 OF 2 REV B1